

17309

15116

4 Hours / 100 Marks

Seat No.

--	--	--	--	--	--	--	--

- Instructions :** (1) All Questions are *compulsory*.
(2) Answer each next main Question on a new page.
(3) Illustrate your answers with neat sketches wherever necessary.
(4) Figures to the right indicate full marks.
(5) Assume suitable data, if necessary.
(6) Use of Non-Programmable Electronic Pocket Calculator is permissible.
(7) Mobile Phone, Pager and any other Electronic Communication devices are not permissible in Examination Hall.

Marks

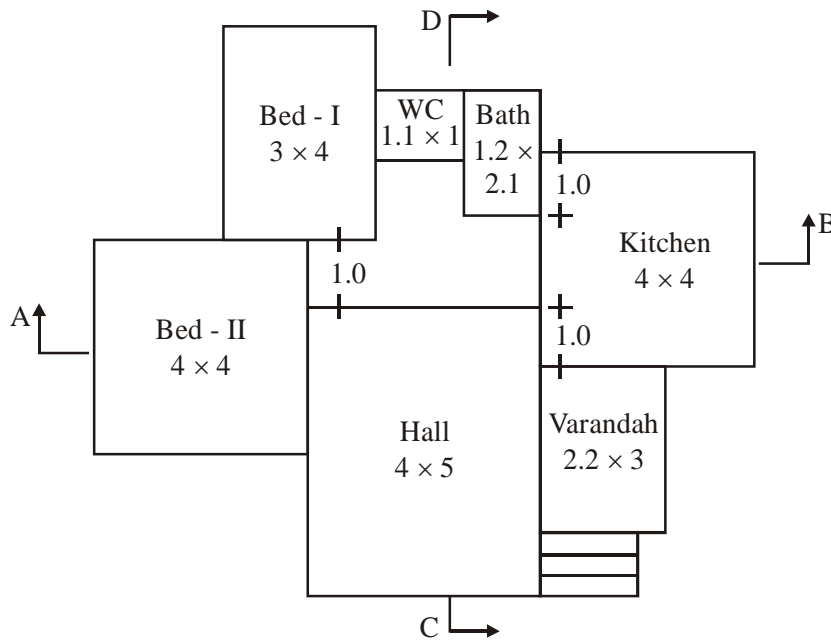
1. (A) Attempt any **THREE** of the following : **12**
- (a) Draw graphical symbols for any four types of doors.
(b) Differentiate between internal and external privacy with one example of each.
(c) State any four importance of submission drawing.
(d) Define picture plane and vanishing points in perspective view.
- (B) Draw to suitable scale a line plan of Post Office building stating the units and dimensions of each. **8**

OR

Draw to suitable scale a line plan of Hostel building for 30 beds stating units and dimensions of each.

P.T.O.

2. Figure No. 1 shows a line plan of residential building. Draw to the scale of 1 : 50 the following views. Show all dimensions and label the parts.



All dimensions are in metre

Fig. No. 1

- | | |
|------------------------------|-----------|
| (a) Developed plan | 12 |
| (b) Elevation | 8 |
| (c) Section AB or Section CD | 10 |

Use following details :

- (i) Depth of foundation - 1200 mm below GL.
- (ii) Plinth height above GL is 750 mm.
- (iii) Height of bottom of slab 2900 mm above floor.
- (iv) Slab thickness is 150 mm.
- (v) Chajja projection is 500 mm.
- (vi) Superstructure in BB masonry 300 mm thick and internal walls of bath and WC is 100 mm thick.

Assume suitable data if necessary.

3. Attempt any THREE of the following :**12**

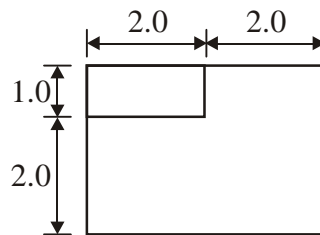
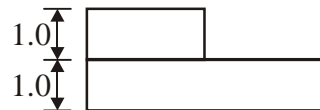
- (a) Draw and give necessity of any four lines as per IS 962-1989.
- (b) State minimum dimensions required for following :
 - (i) Habitable room
 - (ii) Bathroom
 - (iii) Kitchen
 - (iv) WC
- (c) State importance of foundation plan in building construction.
- (d) Define perspective view and state different types of perspective view.

4. Attempt any THREE of the following :**12**

- (a) State with sketch principles of perspective drawing.
- (b) State any four importances of working drawing.
- (c) Define FSI, floor area, built-up area and carpet area.
- (d) State rule and bye-law for plinth height and ceiling height.

5. Attempt the following :

- (a) Draw to suitable scale two point perspective view of monument shown in Fig. No. 2. Assume eye level at 1.6 m above GL and station point 3 m from picture plane along central visual ray. Retain all construction lines. **10**

**Plan****Elevation****All dimensions are in metre****Fig. No. 2**

17309

[4]

- (b) Prepare a schedule of opening for the building drawn in Question No. 2. **6**

OR

- (a) Draw foundation plan for Question No. 2. **10**

- (b) Prepare area statement for Question No. 2. Assume plot area 250 m². **6**

6. Attempt any TWO of the following : **10**

- (a) Draw a line plan of primary health center in a village. Show all units with dimensions and positions of doors and windows.

- (b) Draw line plan of bank building at city. Show all units with dimensions and positions of doors and windows.

- (c) Draw a line plan of residential building having hall, bedroom, kitchen, master bedroom, staircase, pooja, store, WC, bath, attach toilet and verandah.
