



SUMMER- 14 EXAMINATION

Subject Code: **17205**

Model Answer

Important Instructions to examiners:

- 1) The answers should be examined by key words and not as word-to-word as given in the model answer scheme.
- 2) The model answer and the answer written by candidate may vary but the examiner may try to assess the understanding level of the candidate.
- 3) The language errors such as grammatical, spelling errors should not be given more Importance (Not applicable for subject English and Communication Skills).
- 4) While assessing figures, examiner may give credit for principal components indicated in the figure. The figures drawn by candidate and model answer may vary. The examiner may give credit for any equivalent figure drawn.
- 5) Credits may be given step wise for numerical problems. In some cases, the assumed constant values may vary and there may be some difference in the candidate's answers and model answer.
- 6) In case of some questions credit may be given by judgement on part of examiner of relevant answer based on candidate's understanding.
- 7) For programming language papers, credit may be given to any other program based on equivalent concept.



SUMMER- 14 EXAMINATION

Subject Code: 17205

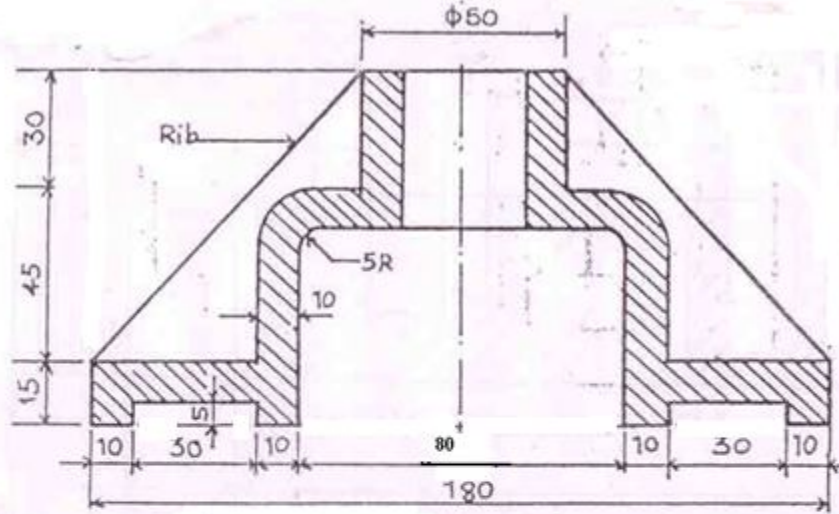
Model Answer

Q.1 a) Sectional front view : 05 marks, Top view : 05 marks

Q.No.1

a)

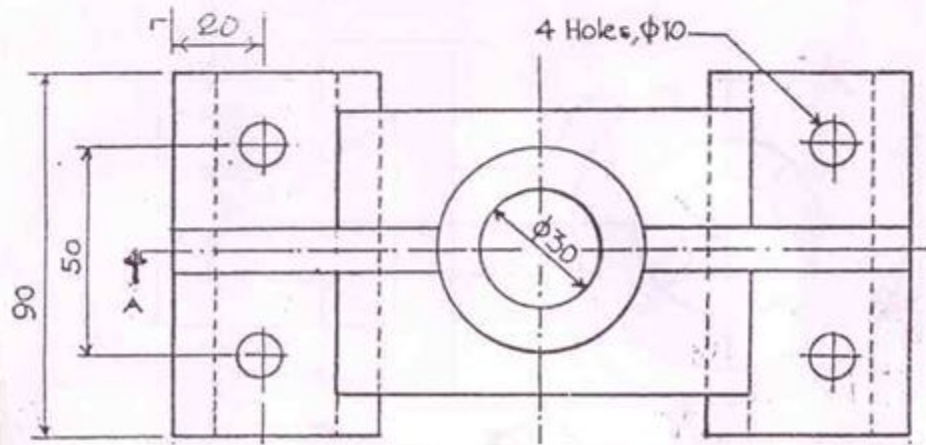
Sectional FV



X

Y

Top view



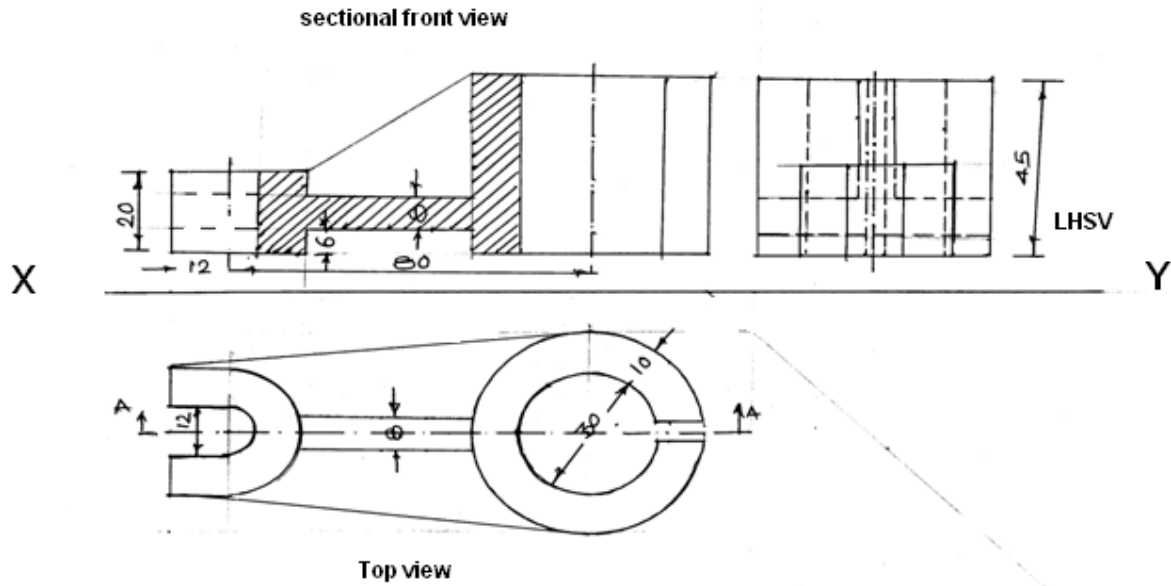


SUMMER- 14 EXAMINATION

Subject Code: 17205

Model Answer

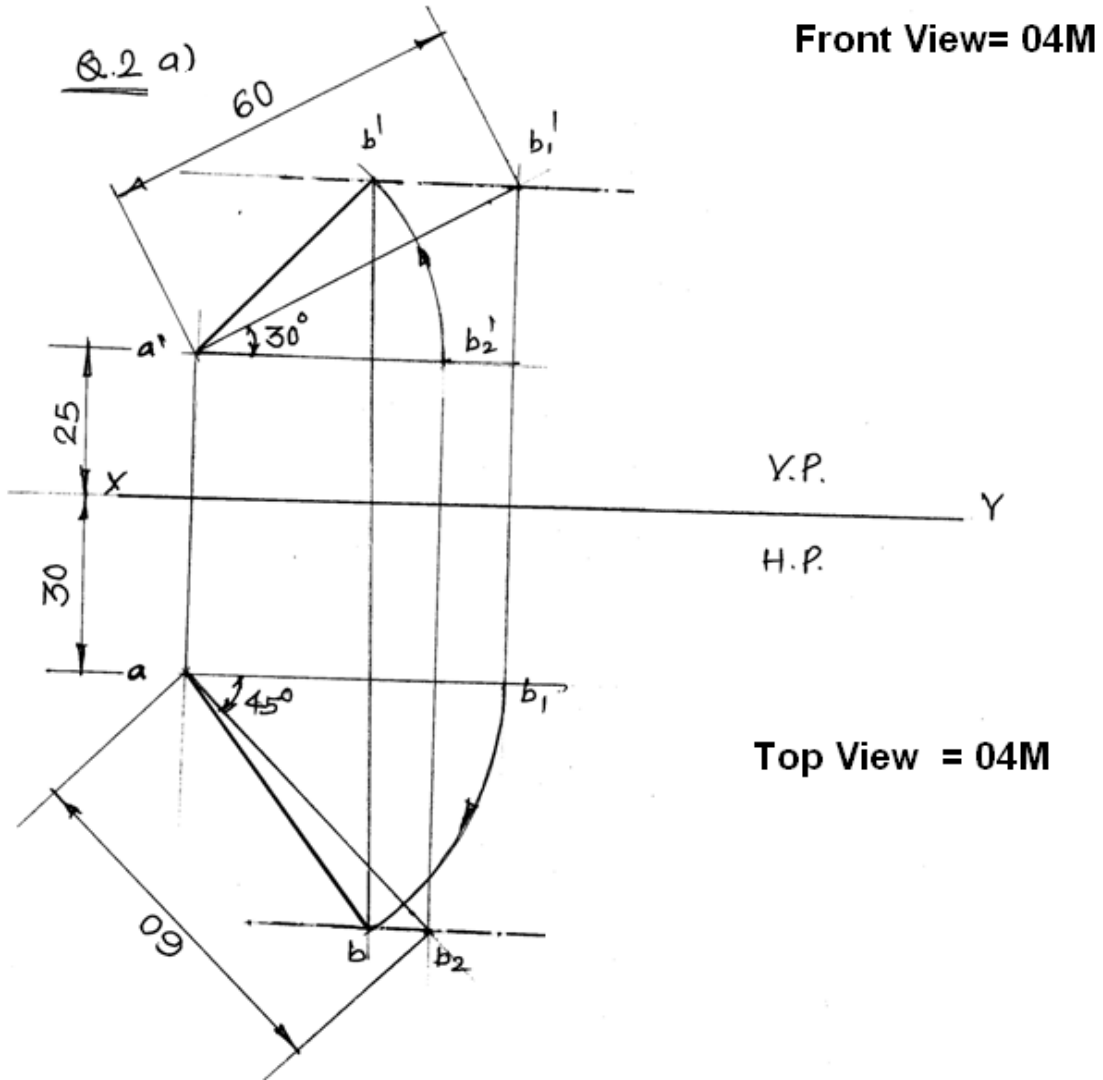
Q. 1 b) Sectional front view : 04 marks Top view : 02 Marks LHSV : 04 Marks





SUMMER- 14 EXAMINATION
Model Answer

Subject Code: 17205



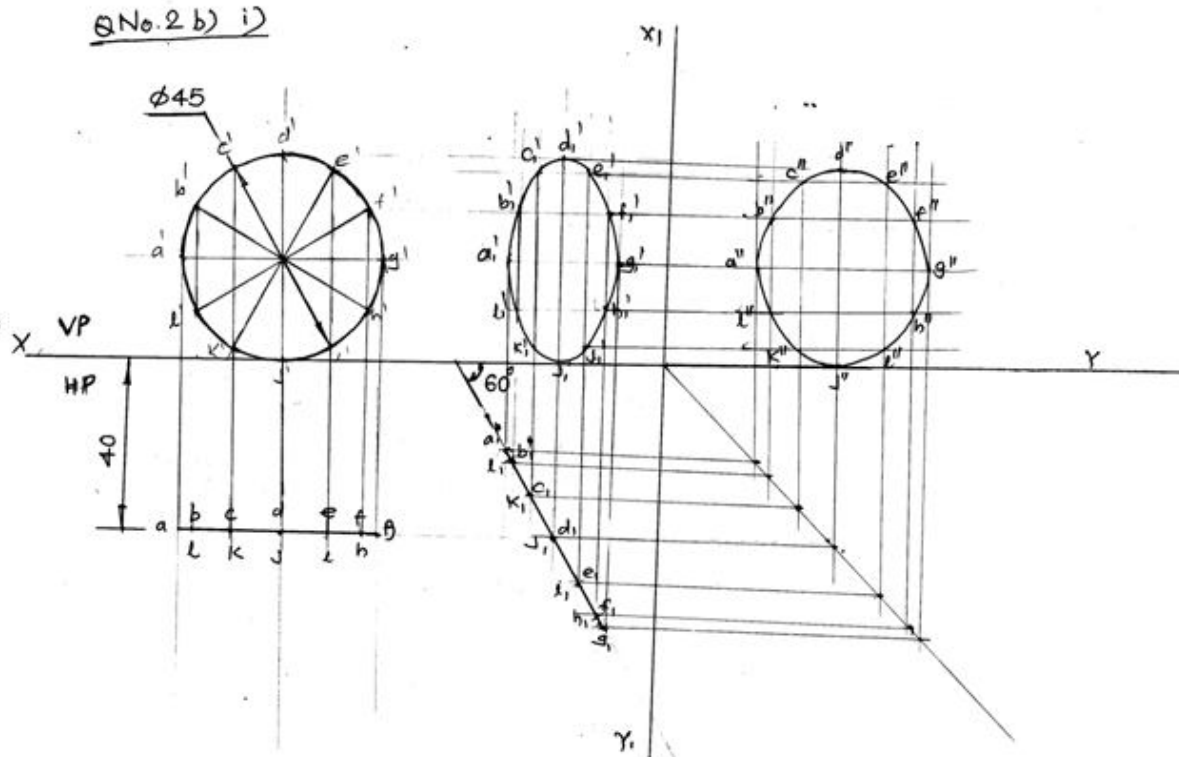


SUMMER- 14 EXAMINATION

Subject Code: 17205

Model Answer

Q. 2 b i) Initial position : 02 marks Final position : 04 Marks side view : 02 mark

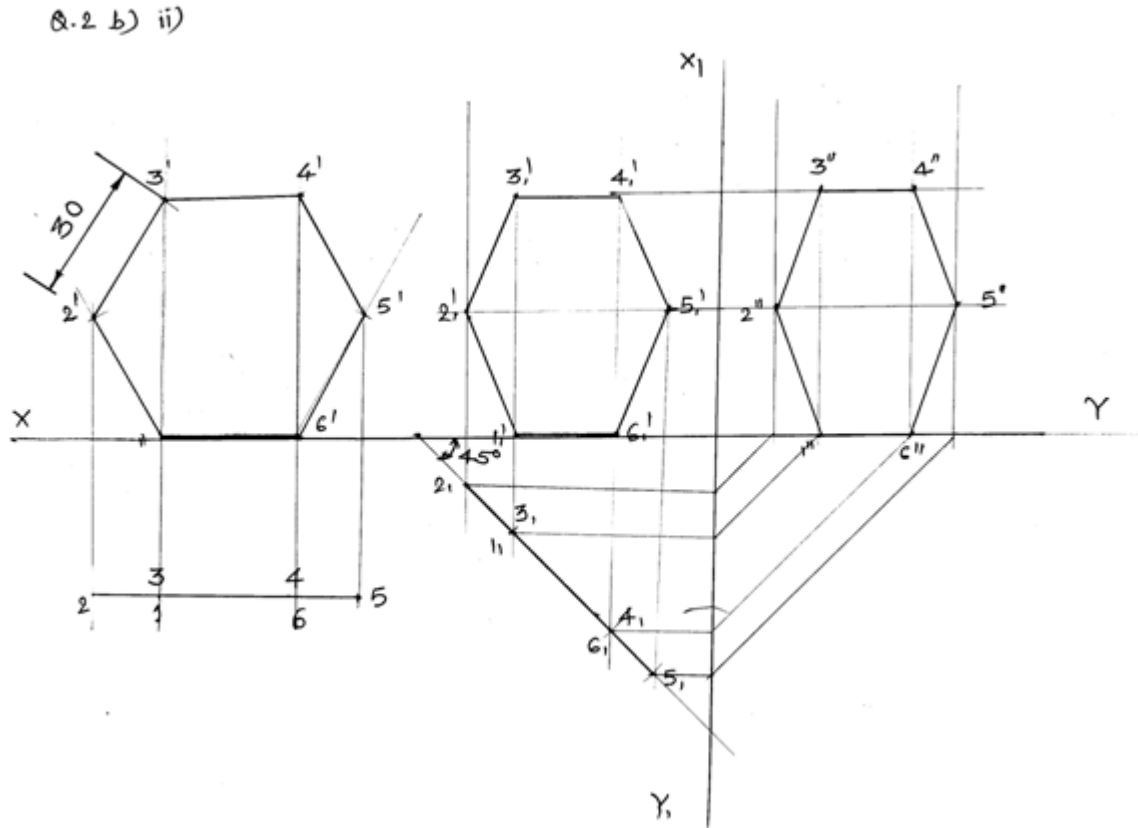




SUMMER- 14 EXAMINATION
Model Answer

Subject Code: 17205

Q. 2 b ii) Initial position : 02 marks Final position : 04 Marks side view : 02 mark



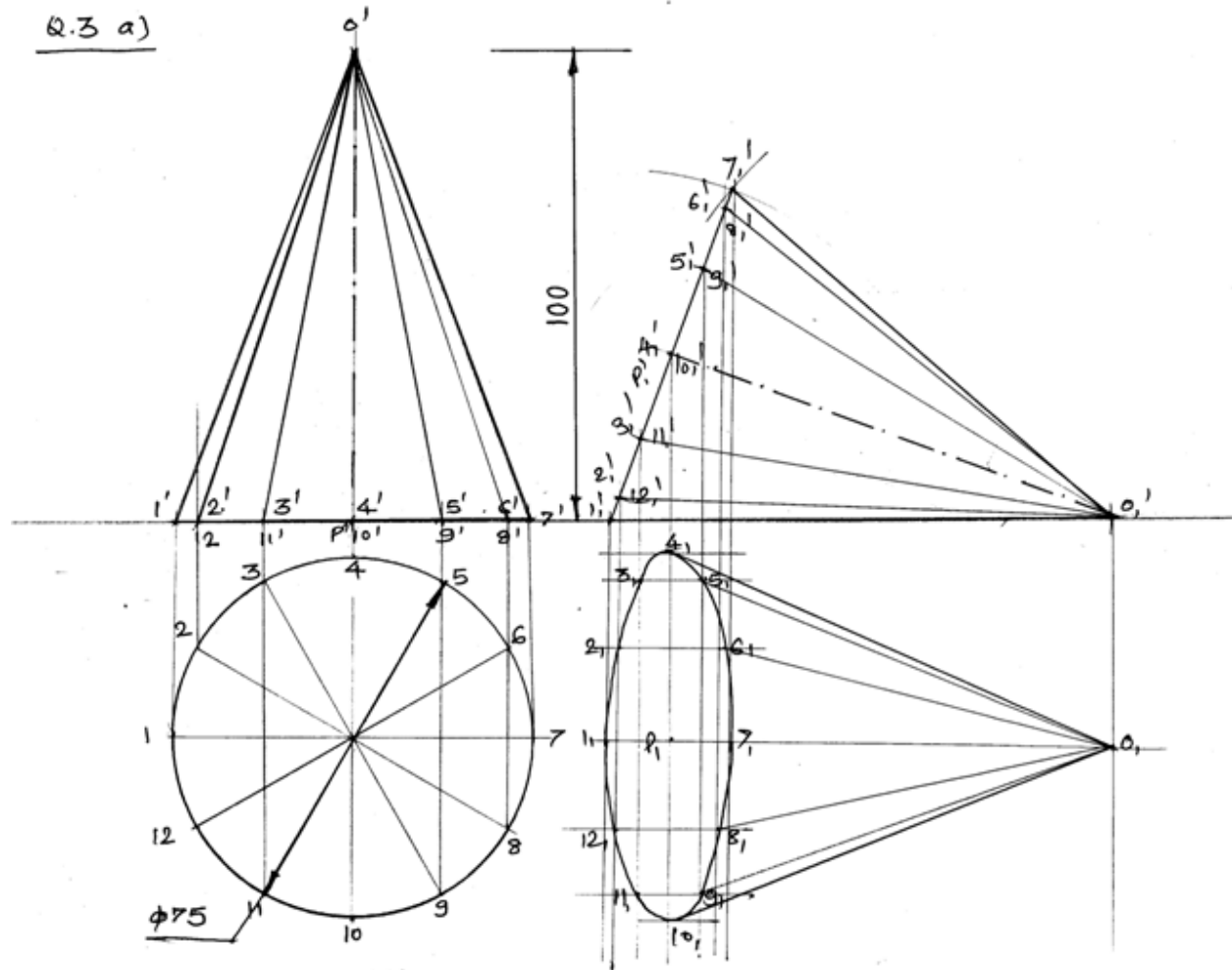


SUMMER- 14 EXAMINATION

Subject Code: 17205

Model Answer

Q. 3 a) Initial position : 04 marks Final position : 04 Marks



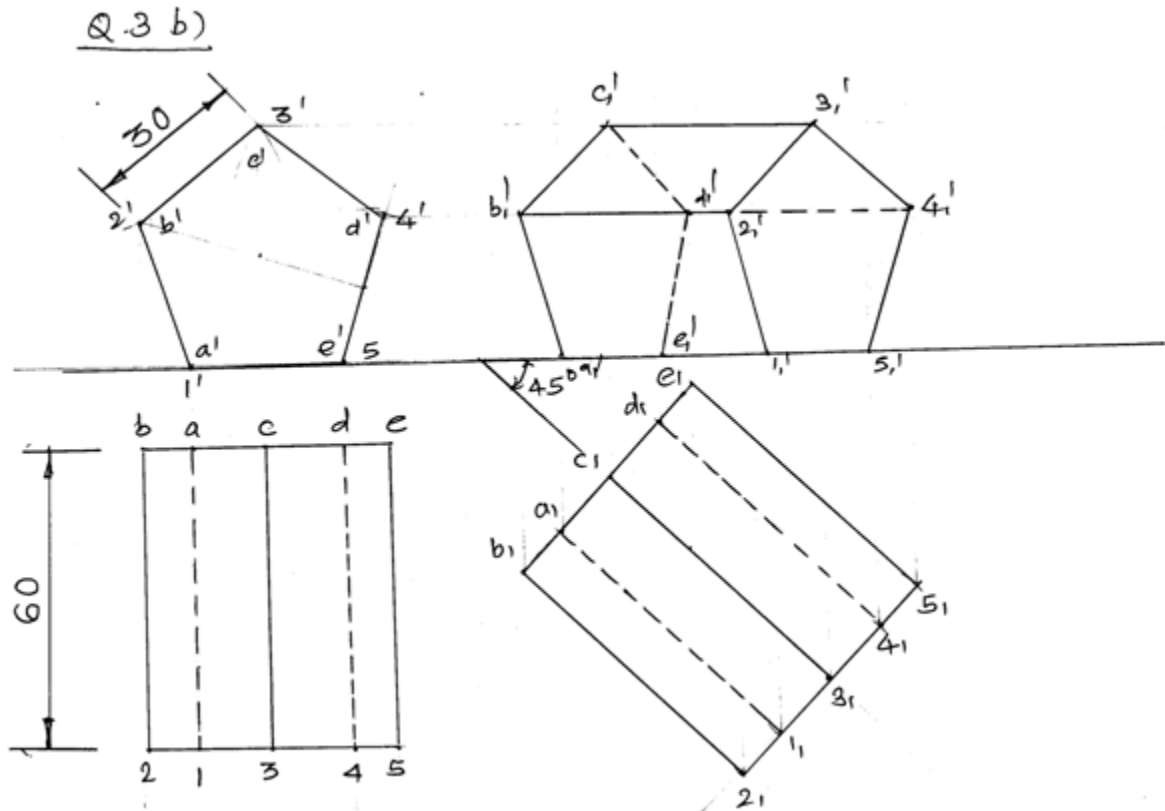


SUMMER- 14 EXAMINATION

Subject Code: 17205

Model Answer

Q. 3 b) Initial position : 04 marks Final position : 04 Marks





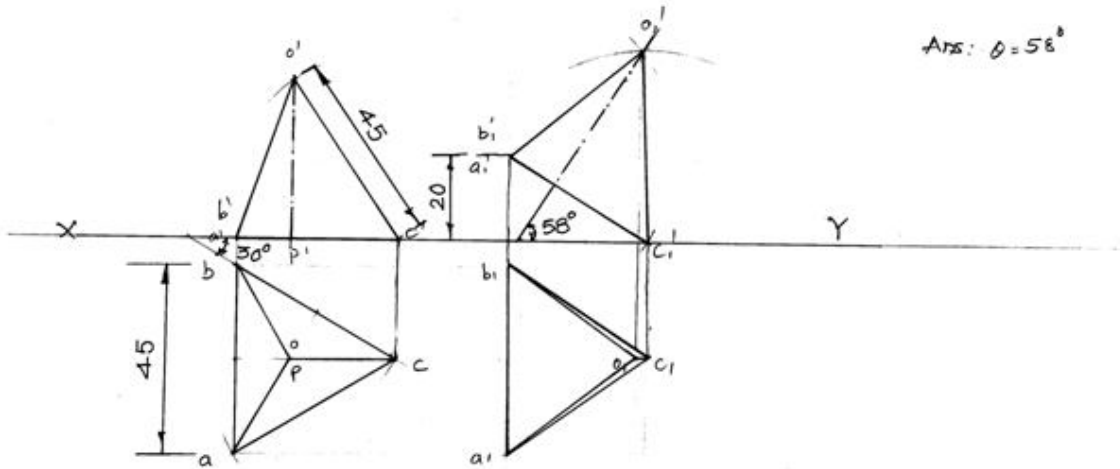
SUMMER- 14 EXAMINATION

Subject Code: 17205

Model Answer

Q. 3 c) Initial position : 02 marks Final position : 04 Marks answer of $\theta = 02$ marks

Q.3 c)



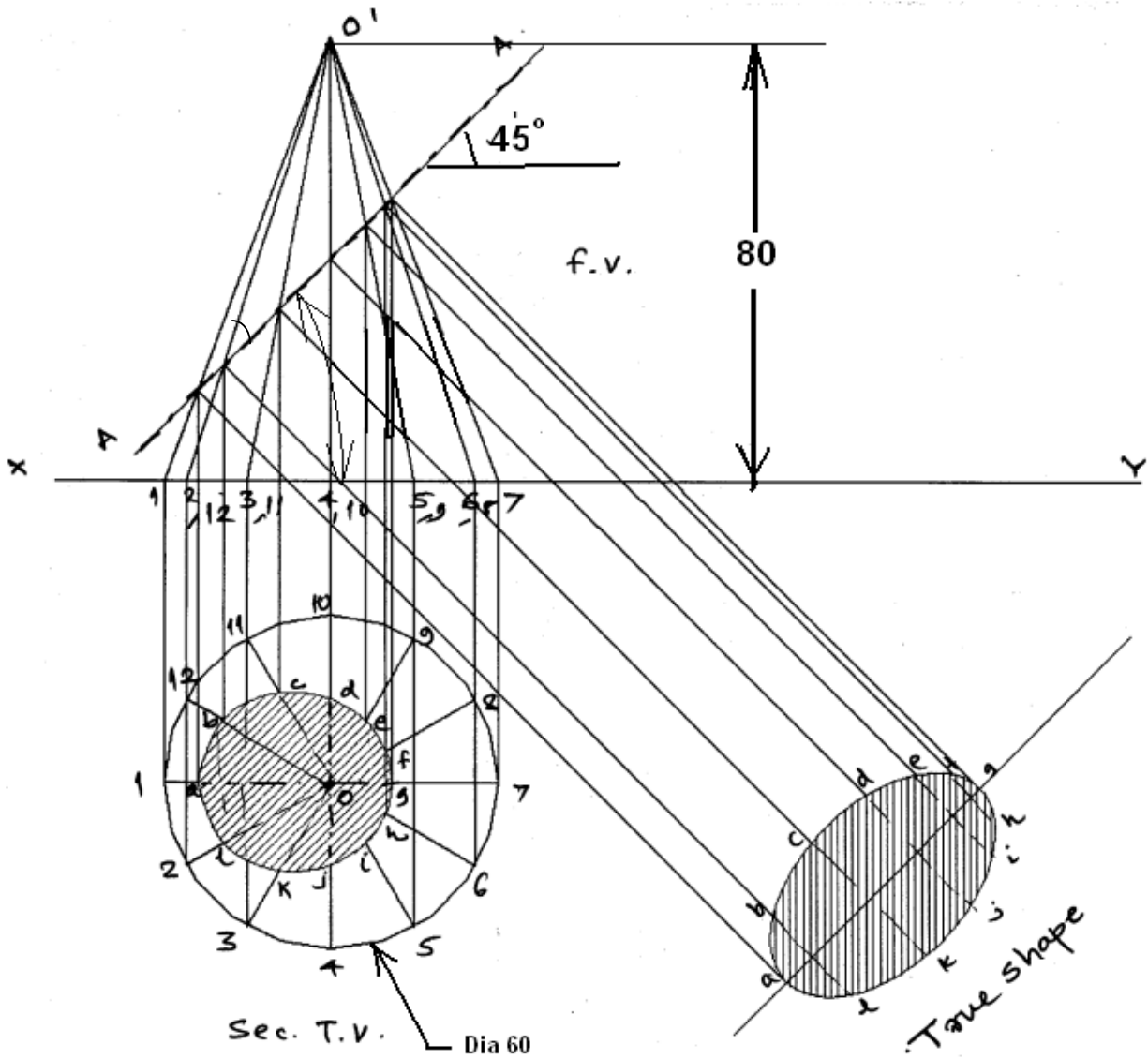


SUMMER- 14 EXAMINATION

Subject Code: 17205

Model Answer

Q.NO 4 a) Front view : 02 marks ,sectional top view : 04 marks, true shape : 02 marks



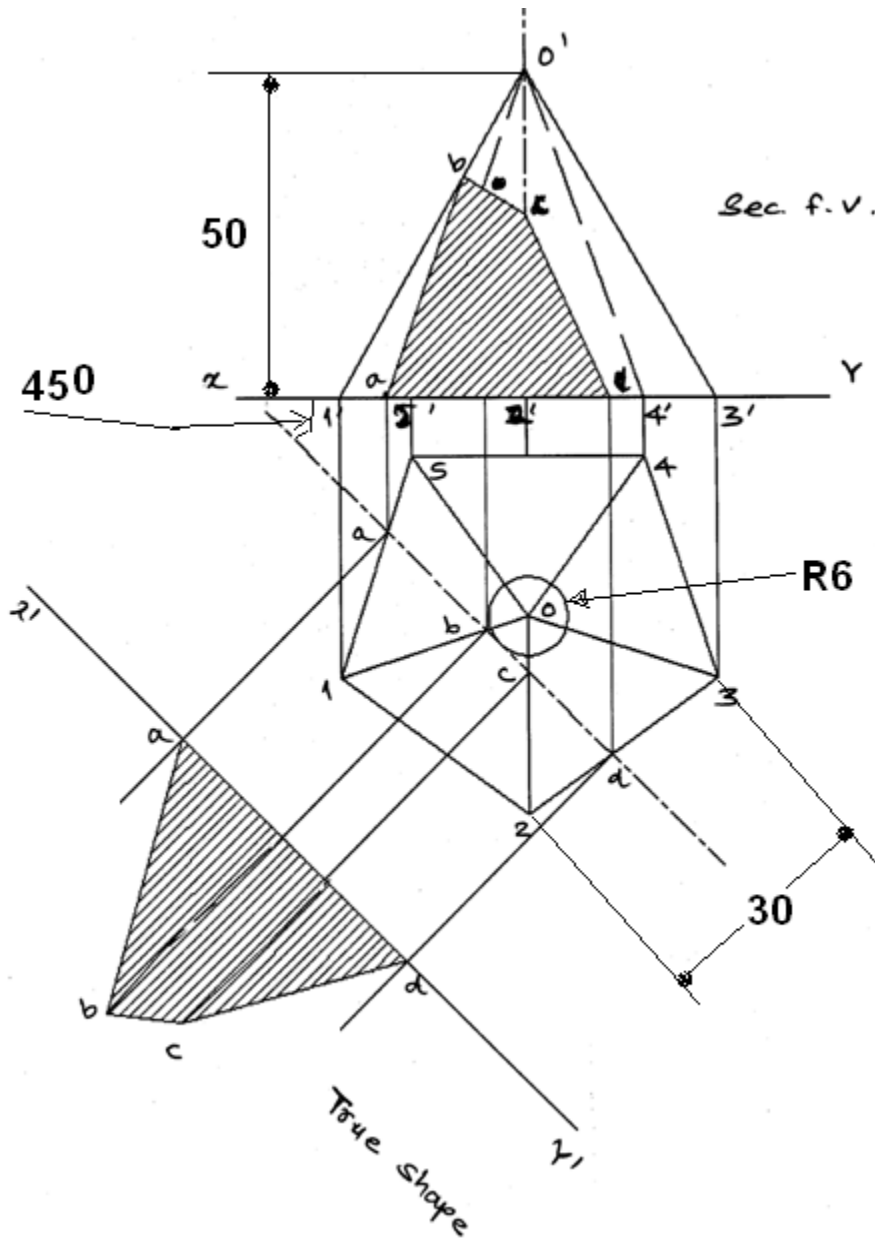


SUMMER- 14 EXAMINATION

Subject Code: 17205

Model Answer

Q.NO 4 b) sectional front view : 04 marks , top view : 02 marks, true shape : 02 marks



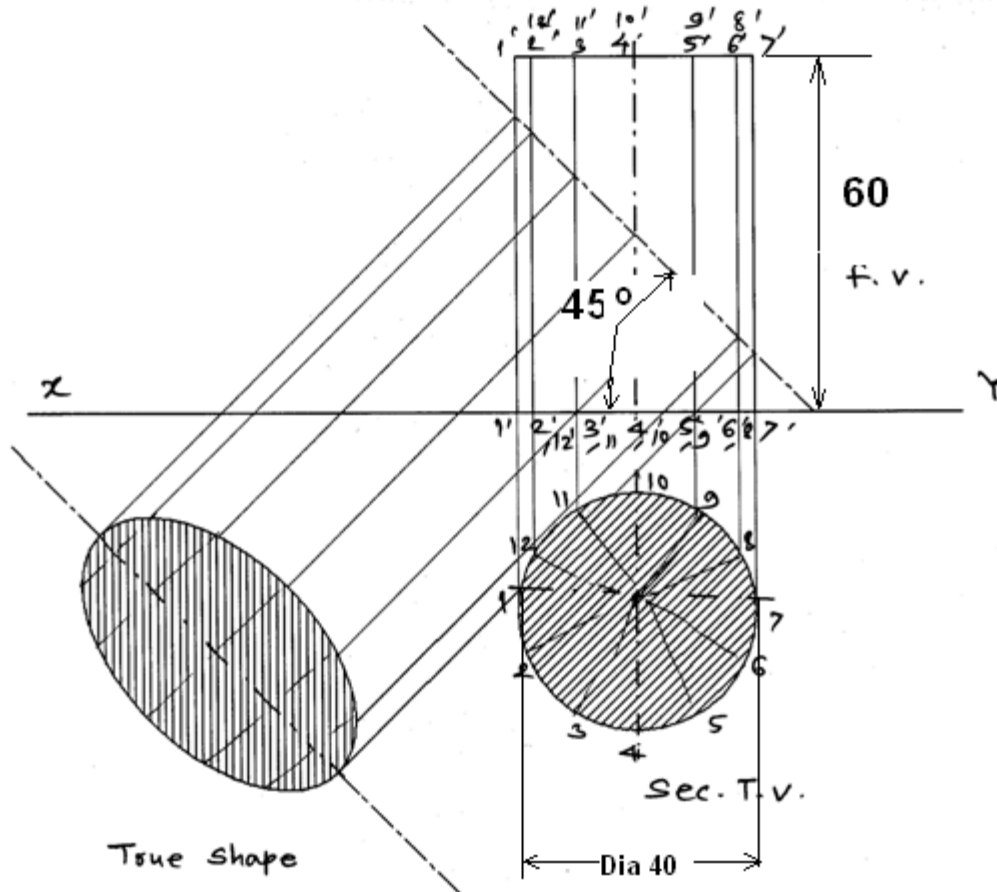


SUMMER- 14 EXAMINATION

Subject Code: 17205

Model Answer

Q.NO 4 c) Front view : 02 marks sectional top view : 02 marks, true shape : 04 marks





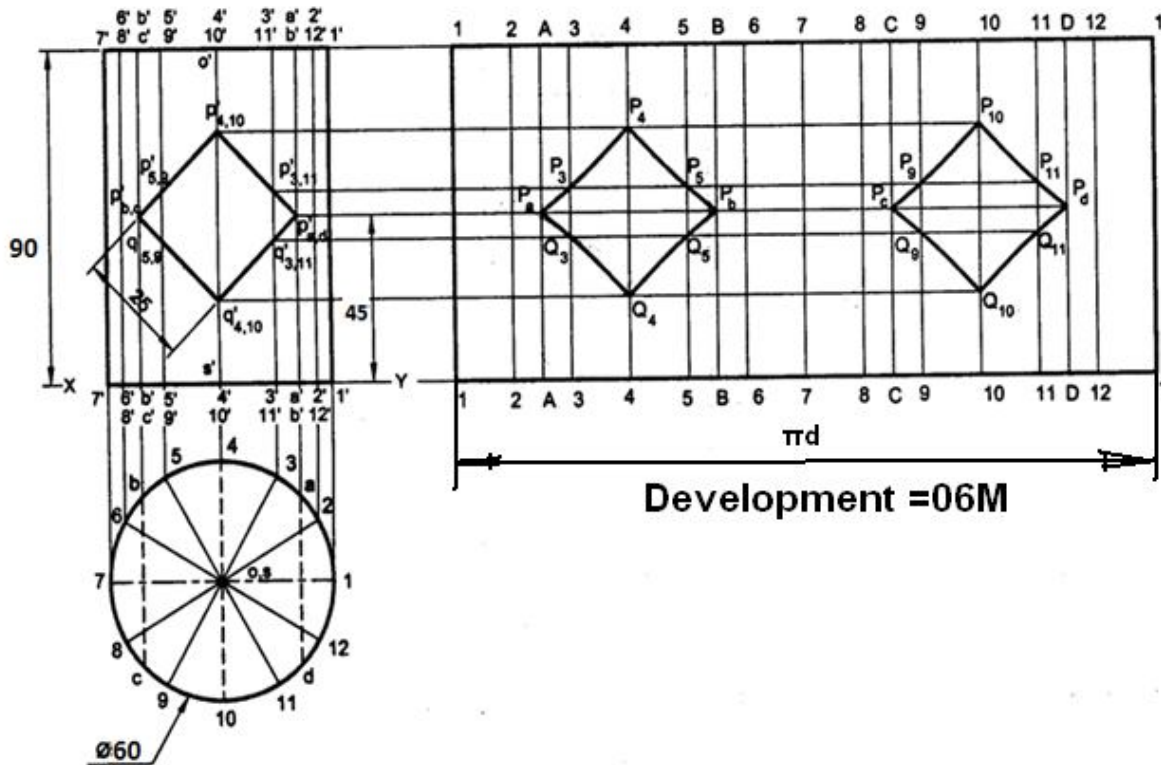
SUMMER- 14 EXAMINATION

Subject Code: 17205

Model Answer

Q.No5

a) $\pi d = 188.4 \text{ mm}$



Development = 06M

Initial Views = 02M



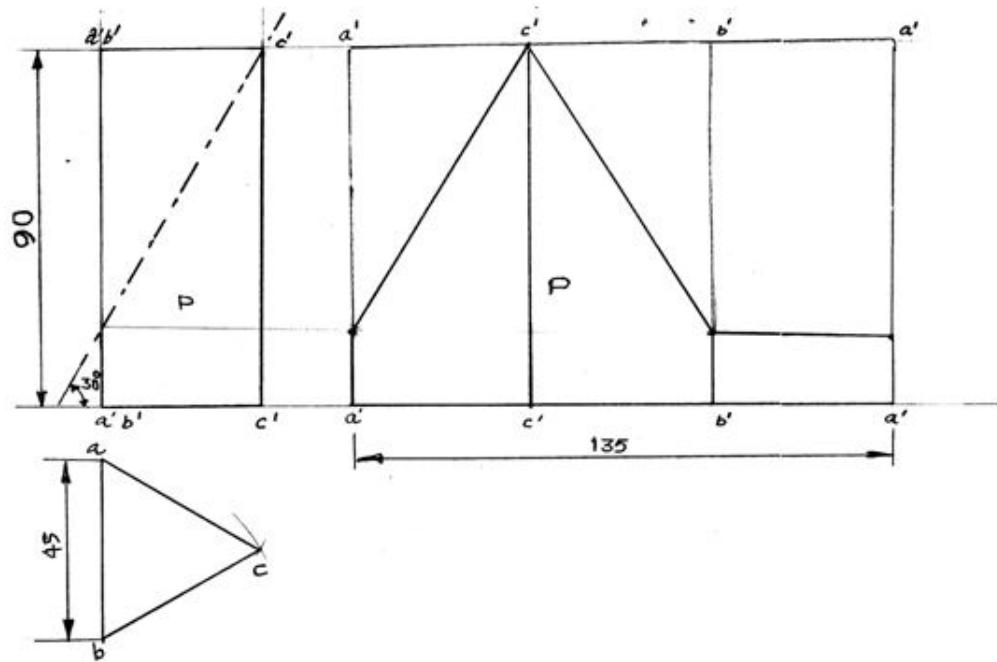
SUMMER- 14 EXAMINATION

Subject Code: 17205

Model Answer

Q. 5 b) Initial position : 02 Marks Development : 06 marks

QNO5 b)



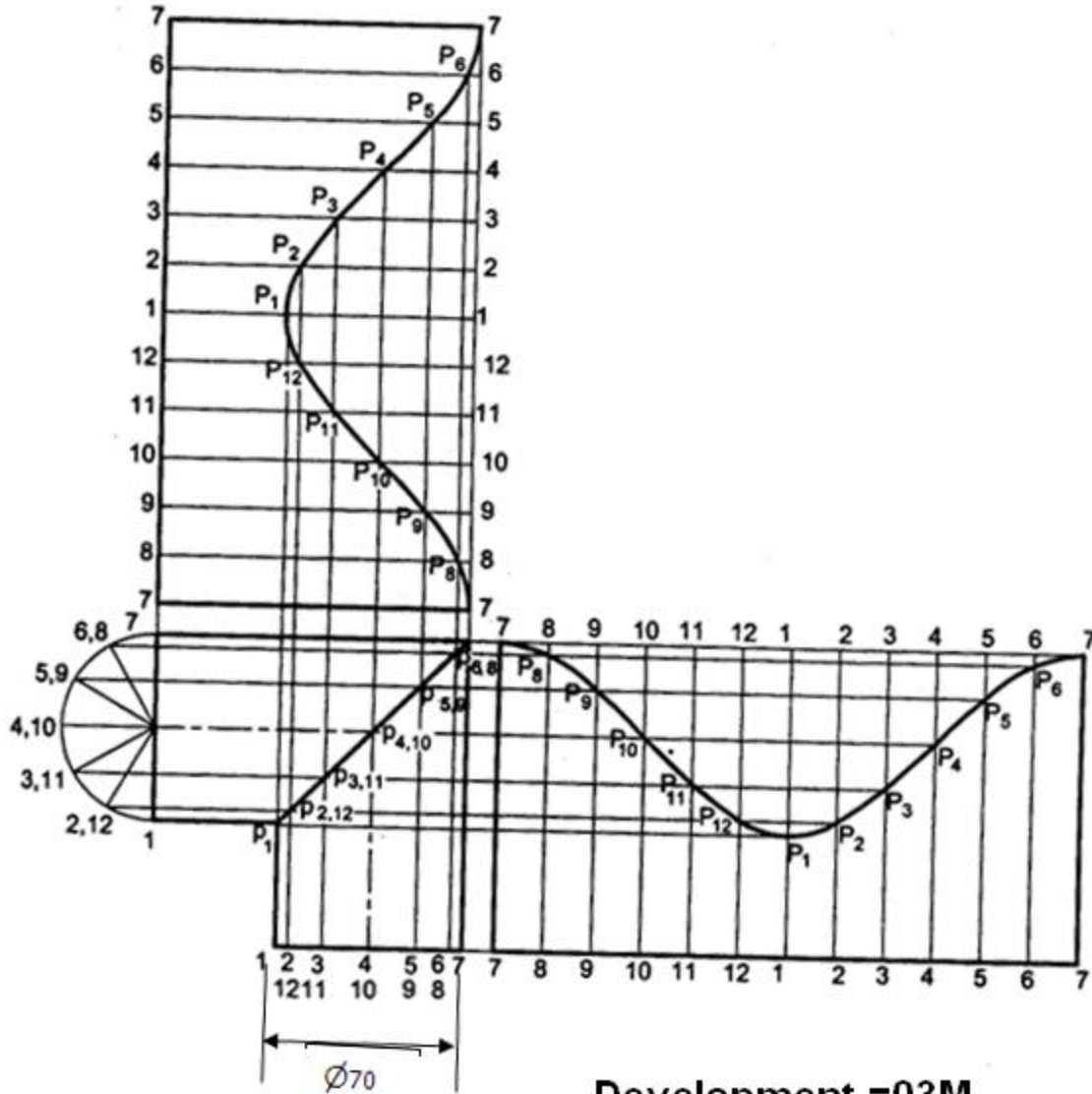


SUMMER- 14 EXAMINATION

Subject Code: 17205

Model Answer

Q NO 5 c)



Redraw=02M

Development =03M
Each



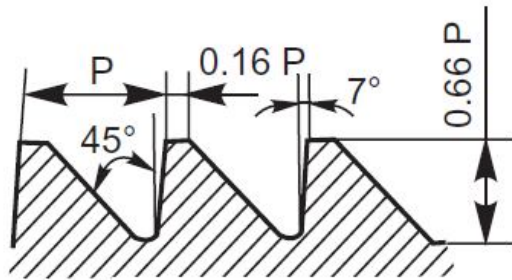
SUMMER- 14 EXAMINATION

Subject Code: 17205

Model Answer

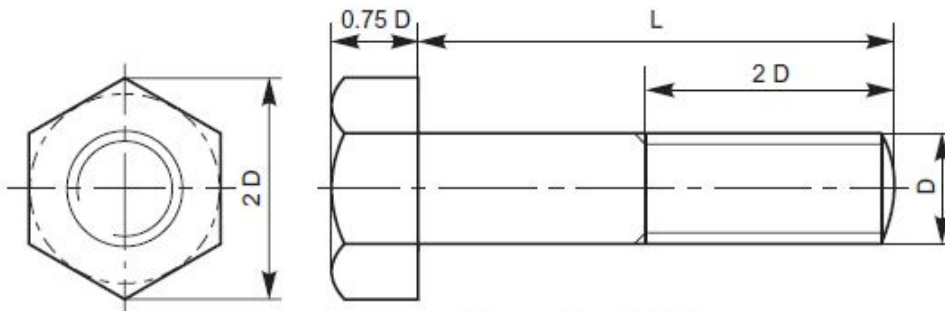
Q.No.6 (any four , 04 marks each)

a)



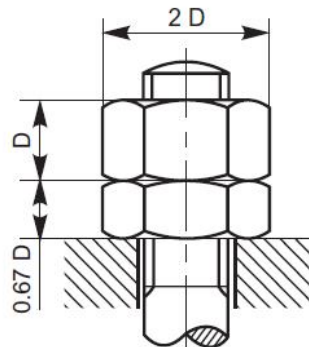
Buttress thread profile

b)



Hexagonal headed bolt

c)



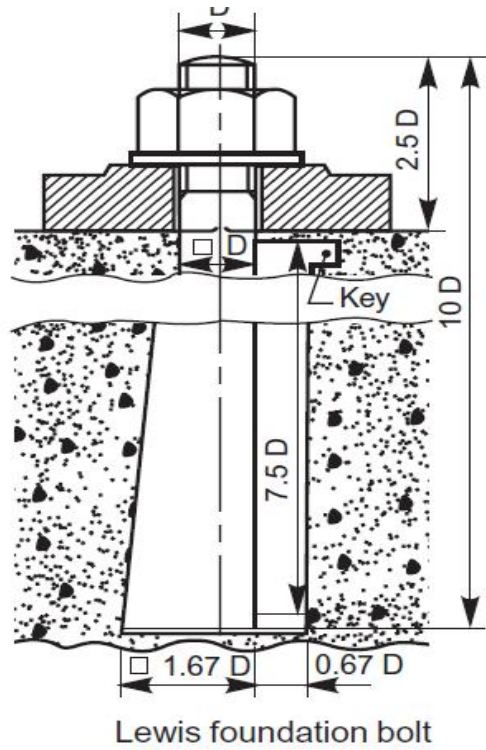
Lock nut



SUMMER- 14 EXAMINATION
Model Answer

Subject Code: 17205

d)



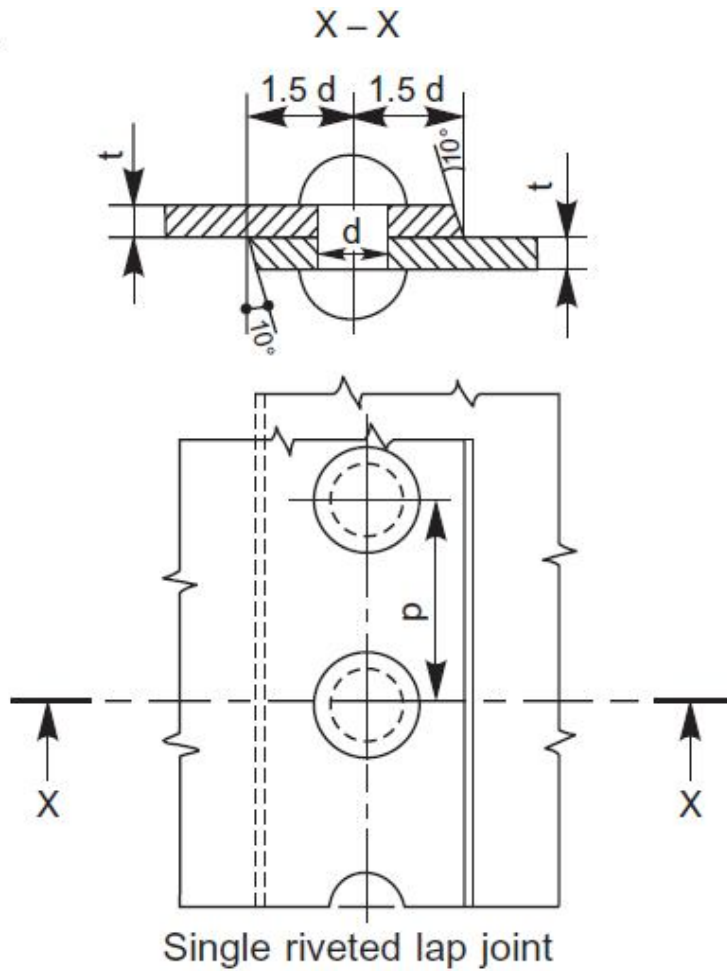


SUMMER- 14 EXAMINATION

Subject Code: 17205

Model Answer

e)



f)

