



**MODEL ANSWER**

**SUMMER- 18 EXAMINATION**

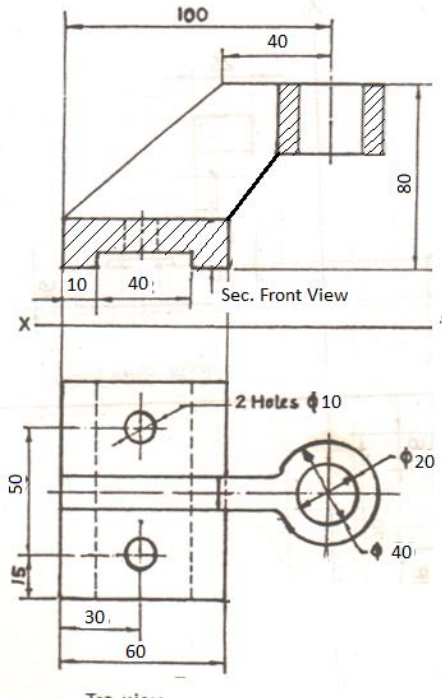
**Subject Title: ENGINEERING DRAWING**

Subject Code:

**17205**

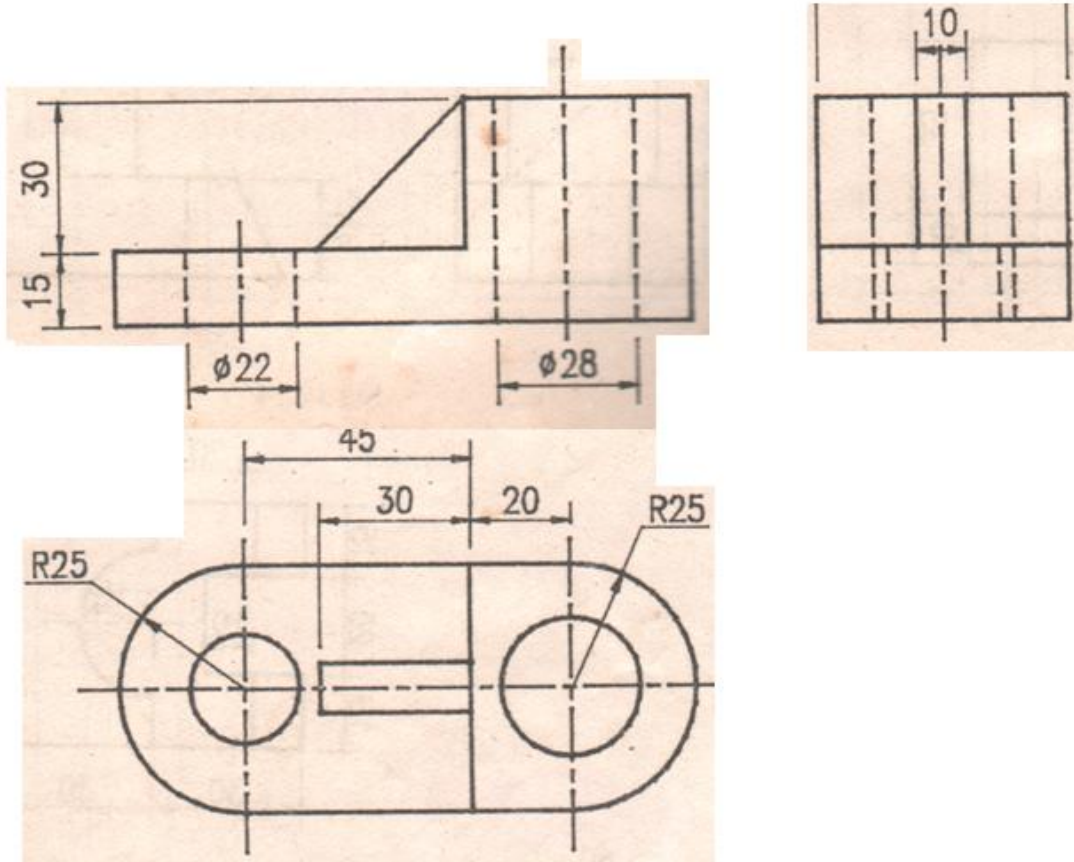
**Important Instructions to examiners:**

- 1) The answers should be examined by key words and not as word-to-word as given in the model answer scheme.
- 2) The model answer and the answer written by candidate may vary but the examiner may try to assess the understanding level of the candidate.
- 3) The language errors such as grammatical, spelling errors should not be given more Importance (Not applicable for subject English and Communication Skills).
- 4) While assessing figures, examiner may give credit for principal components indicated in the figure. The figures drawn by candidate and model answer may vary. The examiner may give credit for any equivalent figure drawn.
- 5) Credits may be given step wise for numerical problems. In some cases, the assumed constant values may vary and there may be some difference in the candidate's answers and model answer.
- 6) In case of some questions credit may be given by judgement on part of examiner of relevant answer based on candidate's understanding.
- 7) For programming language papers, credit may be given to any other program based on equivalent concept.

Q. No.	Sub Q. N.	Answer	Marking Scheme
1	a		Sect.F.V. 06 mark TV = 04



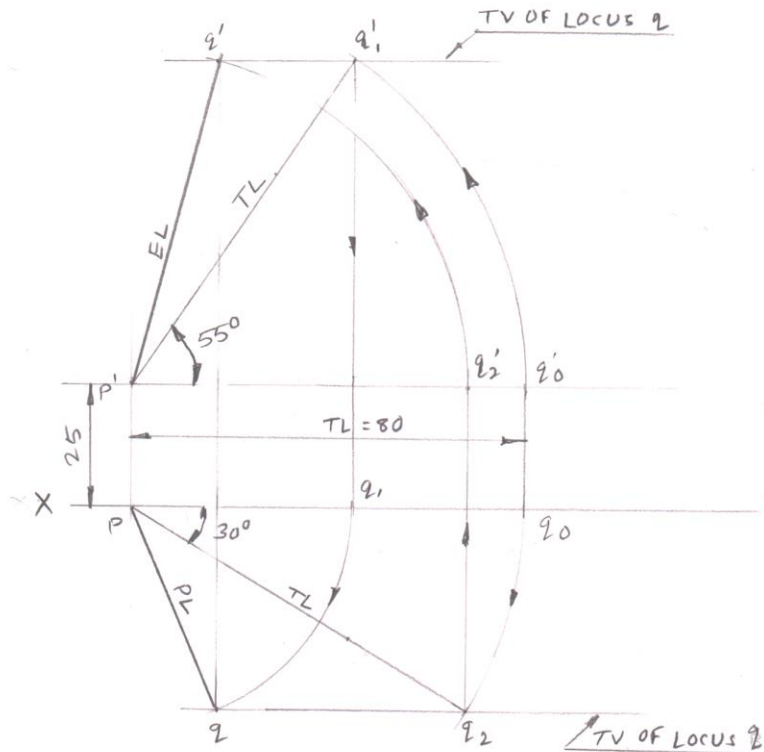
b



F.V. = 02  
T.V. = 03  
S.V. = 05

2

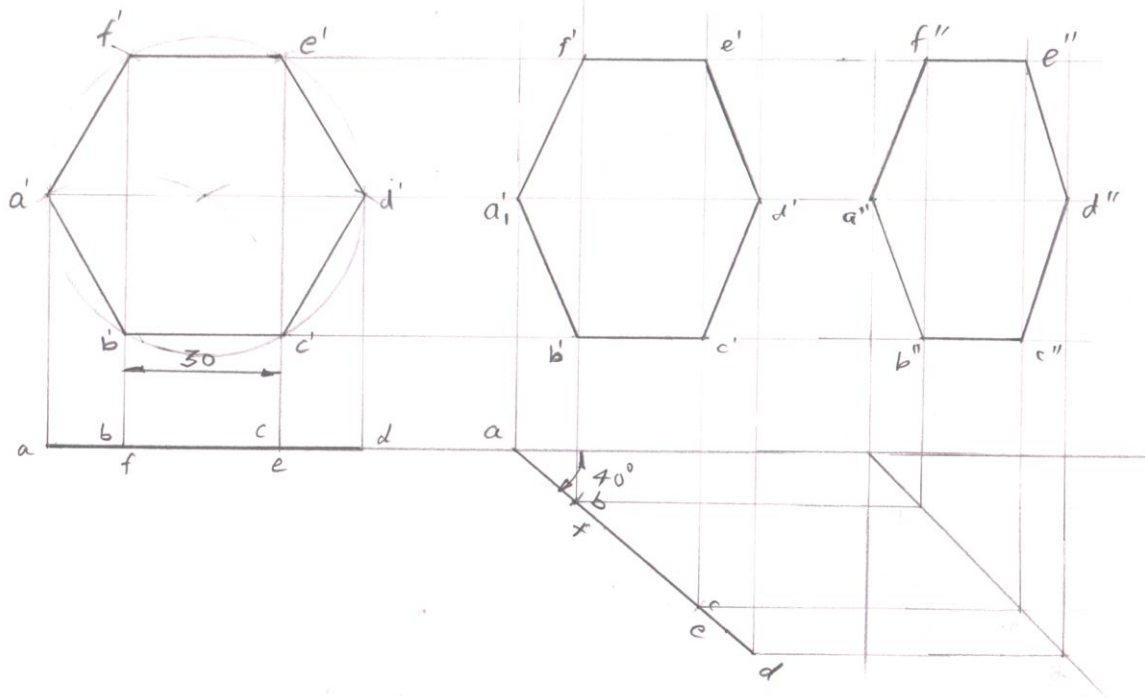
a



04  
Marks  
for  
Initial  
views &  
04 for  
Final  
views

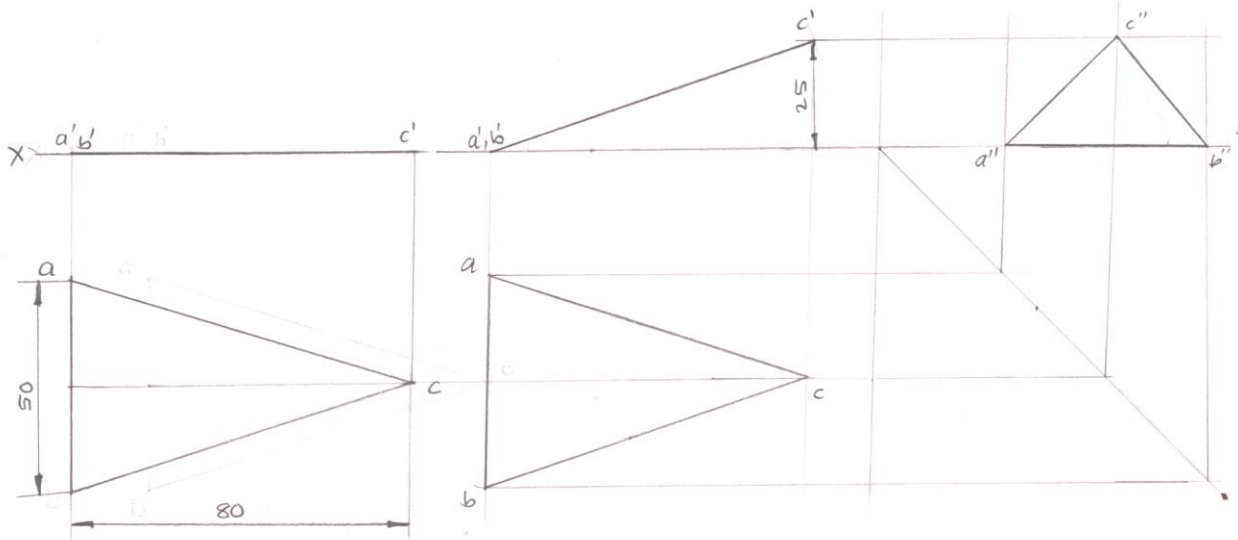
(Initial Position 03 M, Final position 03M & Side view 02 Marks)

(b)  
(i)



(ii)

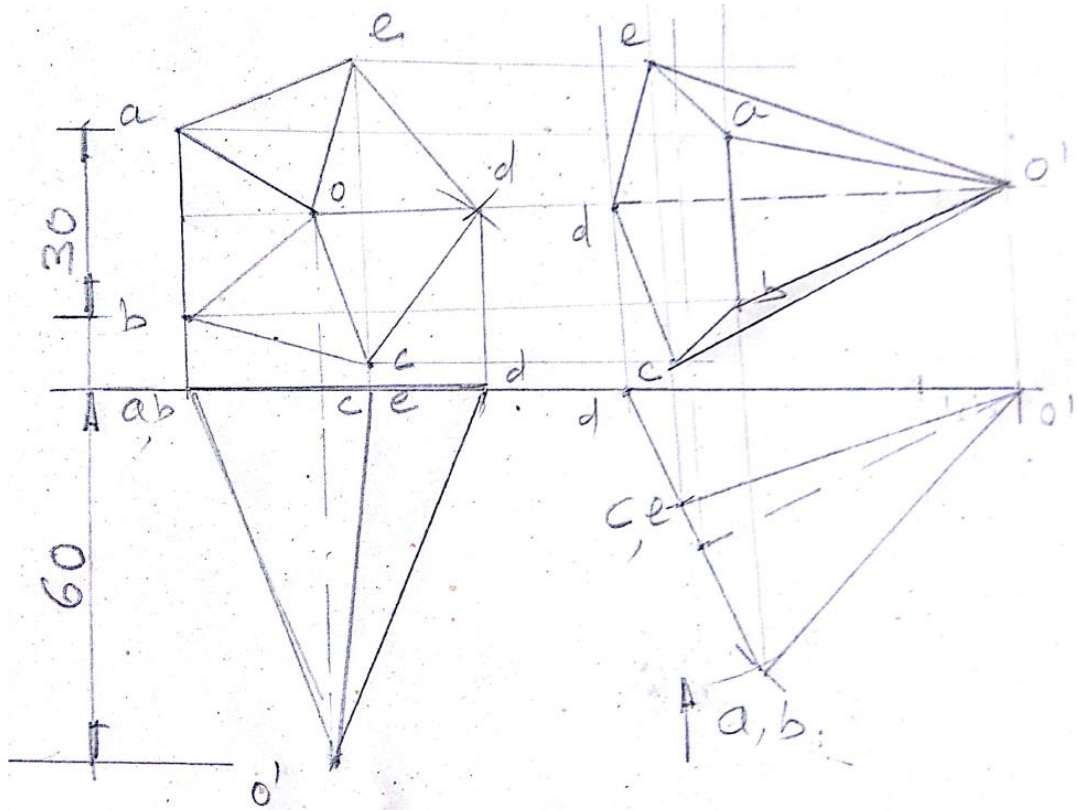
(Initial Position 03 M, Final position 03M & Side view 02 Marks)



(Initial Position 04M, & Final position 04 Marks)

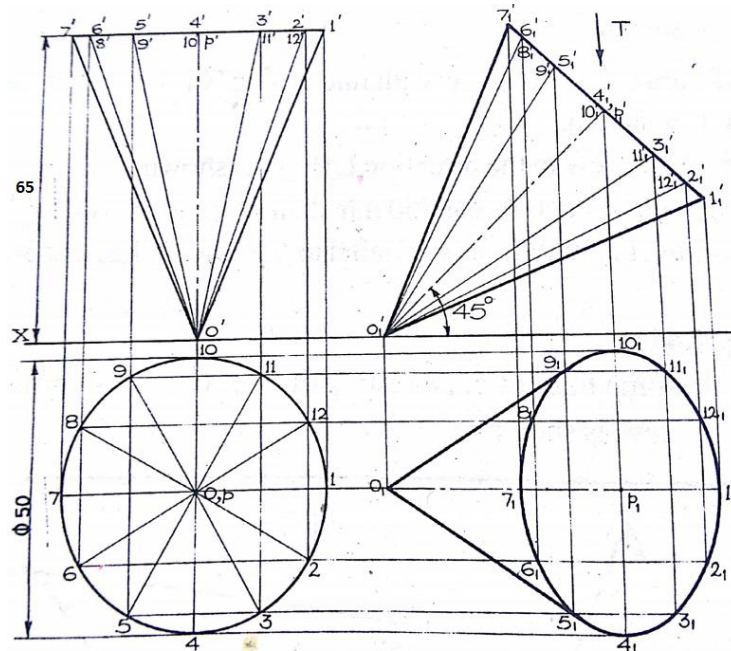
3

a



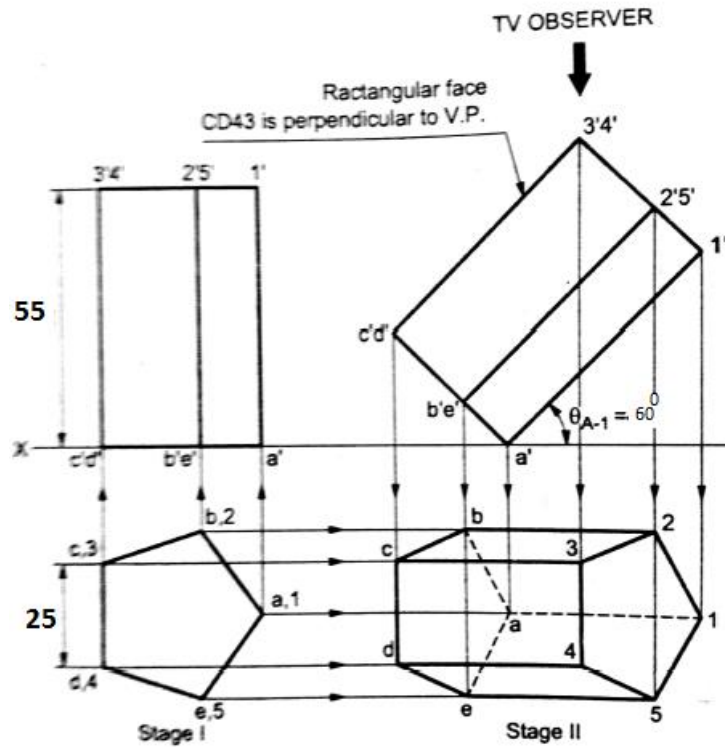
(Initial Position 04 marks & Final position 04 Marks)

b



(c)

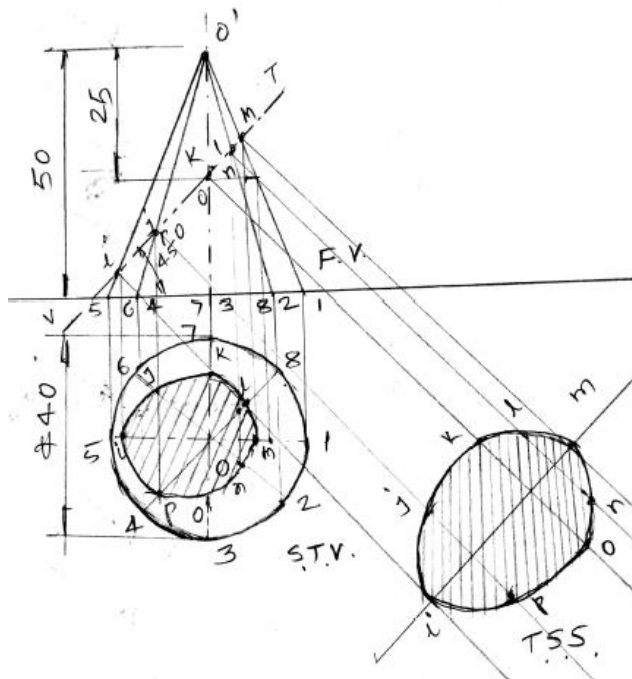
(Initial Position 04 marks & Final position 04 Marks)



( FV-2, Sect.TV- 3, True shape -3 MARKS )

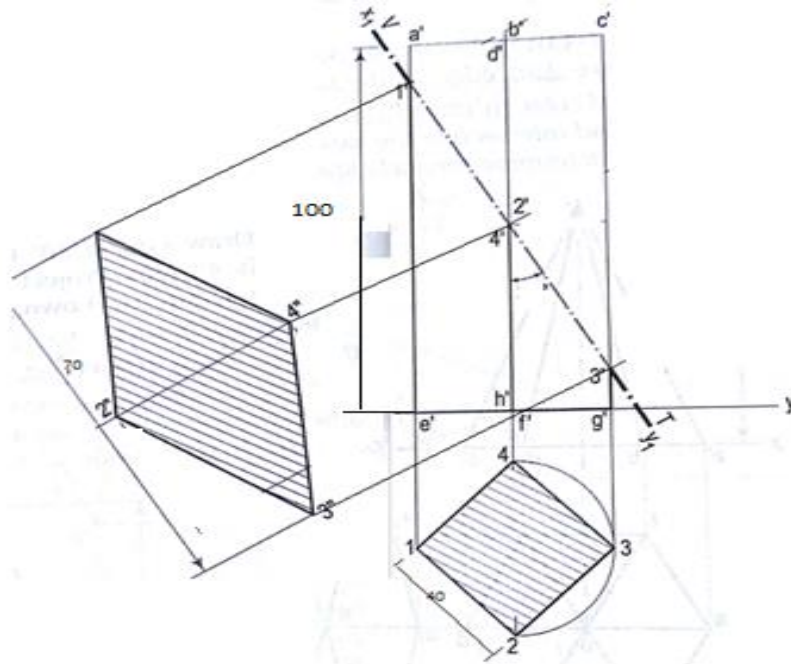
4

a)



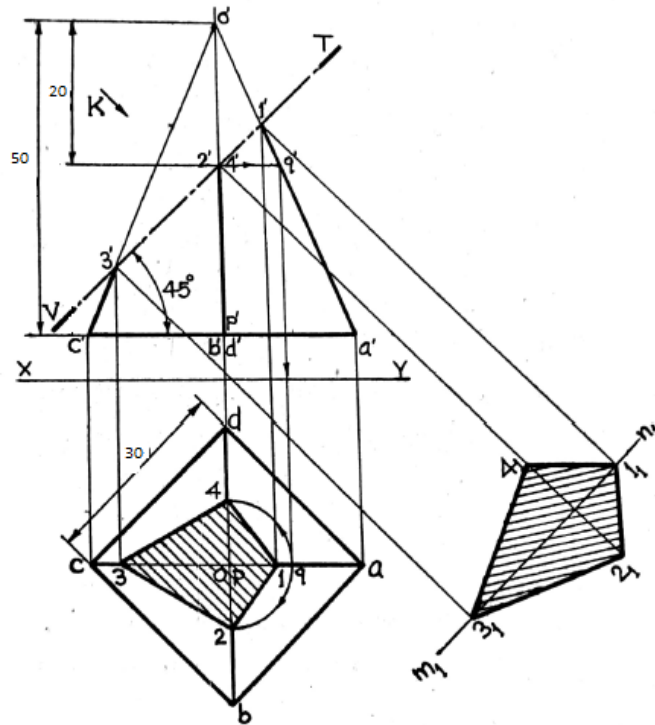
b

( FV-2, Sect.TV- 3, True shape -3 MARKS )



c

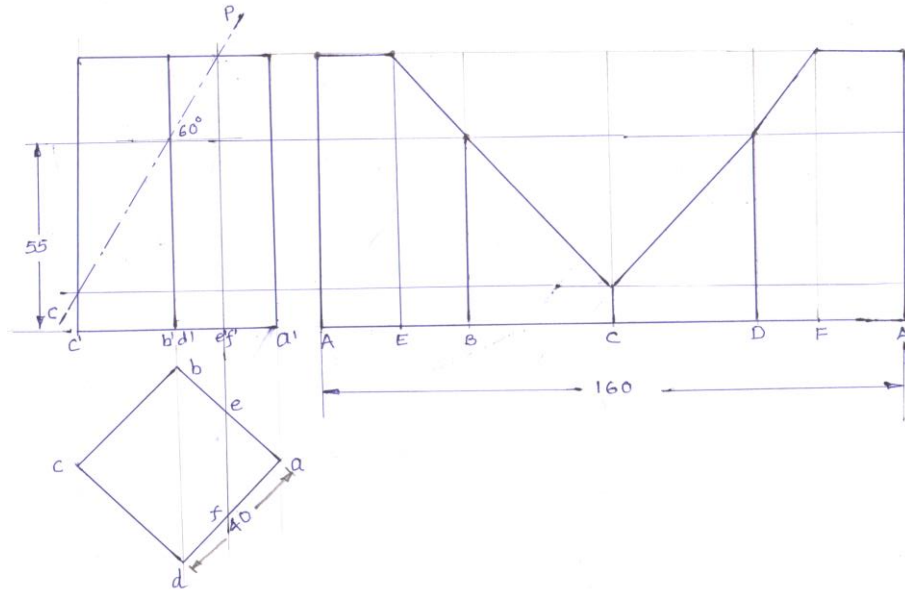
( FV-2, Sect.TV- 3, True shape -3 MARKS )



5

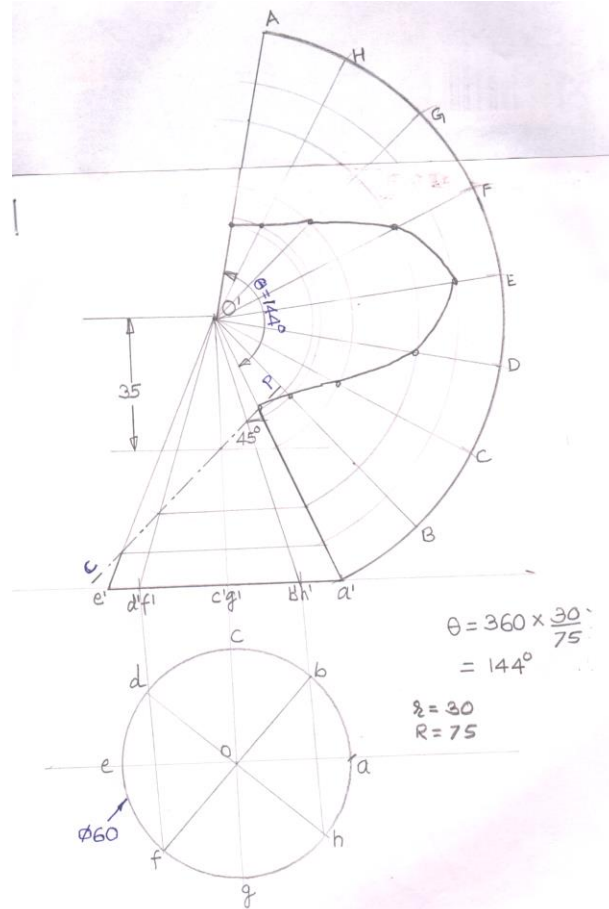
a

(Initial Position 04 M & Development 04 M)



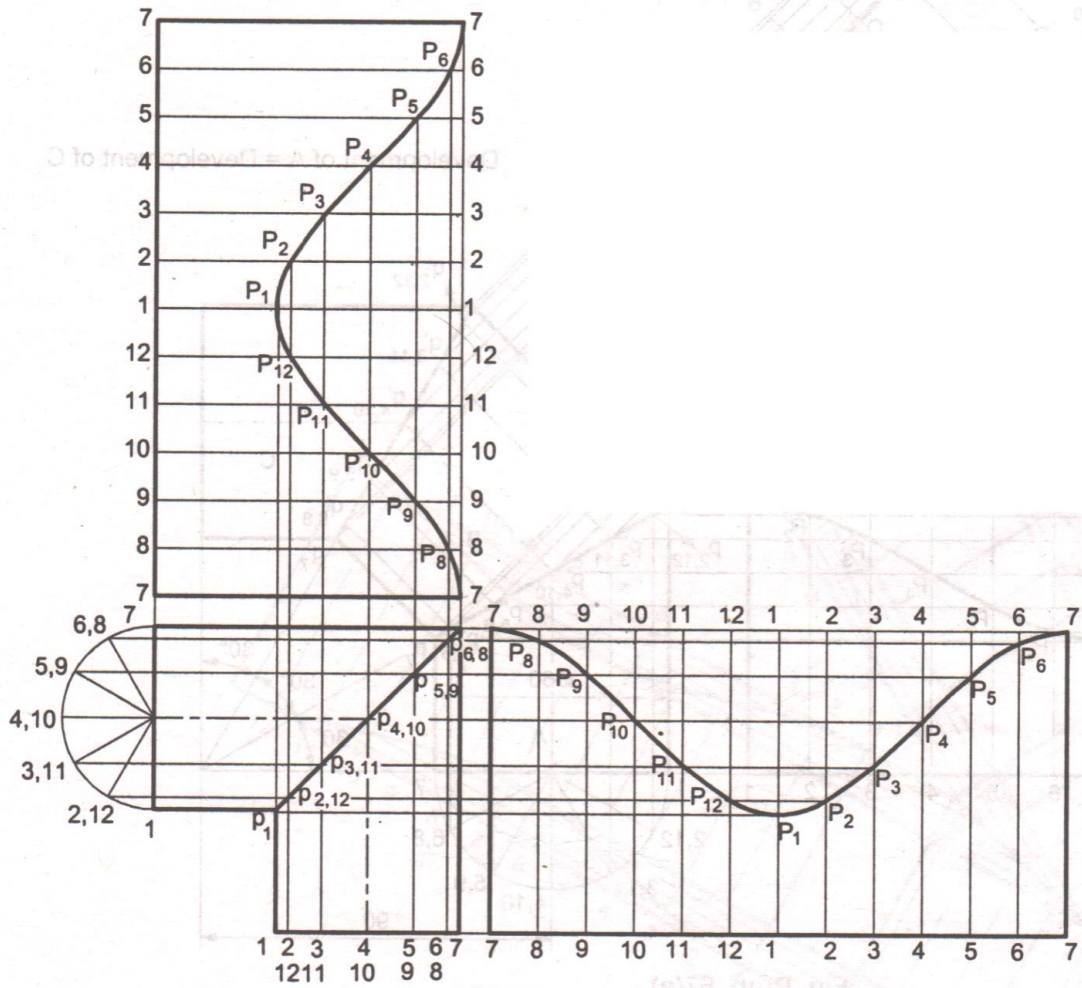
b

(Initial Position 04 M & Development 04 M)



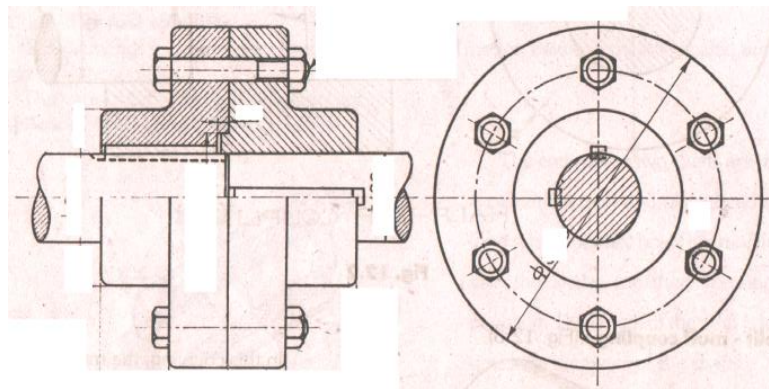
C

(Correct Development 08 Marks)



6

a

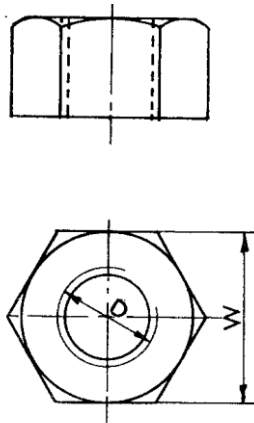


4 marks



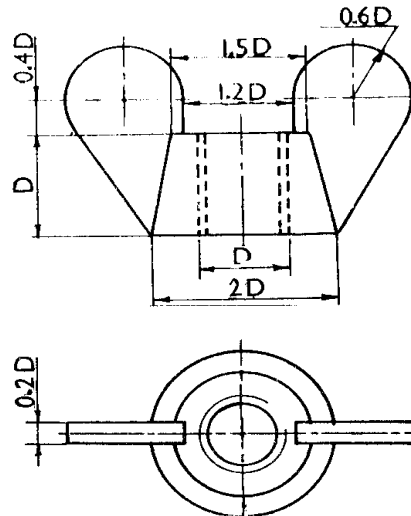


b



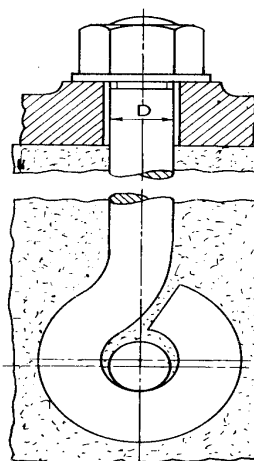
4 marks

c



4 marks

d



4 marks

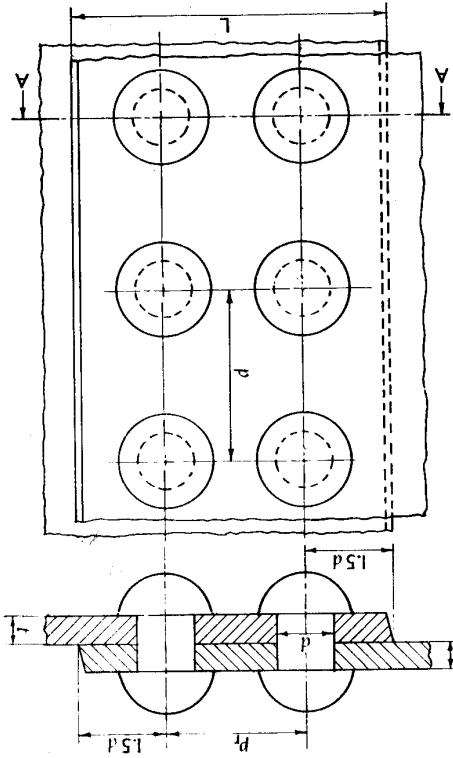


e



4 marks

f



4 marks



**MAHARASHTRA STATE BOARD OF TECHNICAL EDUCATION**  
(Autonomous)  
(ISO/IEC - 27001 - 2005 Certified)

--	--	--	--